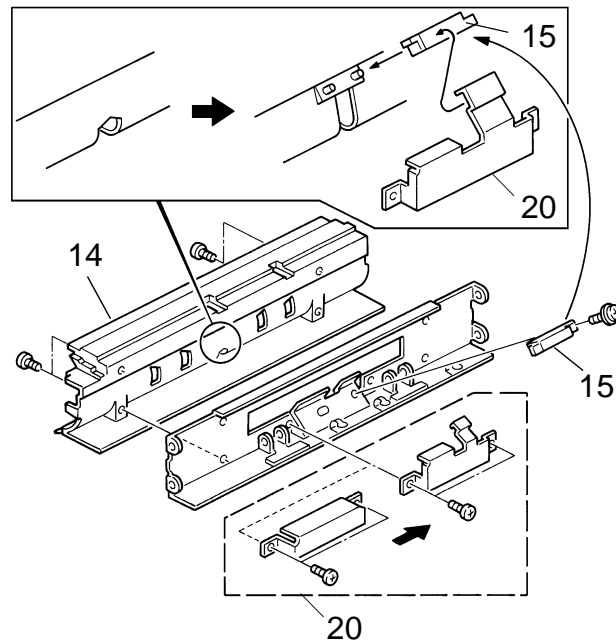


Model	RDH for F410	Volt/Hz	Date of Modification	Serial Number
Modified Article	Parts Catalog			
Reason for Modification	Parts catalog correction			

Could you please correct your parts catalog as follows:

Incorrect P/N	Correct P/N	Description	Q'ty Used	Parts Catalog	
				Index No.	Page
A4991224	A3781226	Inner Separation Guide	1	8	5
A4991738	A3781728	Inverter Sensor Cover	1	20	13

Page 12



* Index No. 14 P/N A4991721
This part number is not changed.

A4991738 → A3781728

S. Hamano, Assistant General Manager
Technical Support Department

MODEL NAME	V/Hz	DESTINATION	JAPAN PRODUCTION	
			CODE	SERIAL NUMBER
NRG CRDH55	120/60	U.S.A. , Canada	A378 - 10	
Savin 9550/9650 RDF	120/60	U.S.A.	A378 - 15	
Ricoh DH400	120/60	U.S.A.	A378 - 17	
NRG CRDH55	230/50	Europe etc.	A378 - 22	
Infotec DH III	230/50	Europe	A378 - 26	
Ricoh DH400	230/50	Europe etc.	A378 - 27	

Model	RDH for F400	Volt/Hz	Date of Modification	Serial Number
Modified Article	Parts Catalog			
Reason for Modification	Parts catalog correction			

Please correct your parts catalog as follows:

Incorrect P/N	Correct P/N	Description	Q'ty Used	Parts Catalog	
				Index No.	Page
AF023001	A3781564	Belt Support Roller	4	12	11
		Belt Pressure Roller			

S. Hamano, Assistant General Manager
Technical Support Department

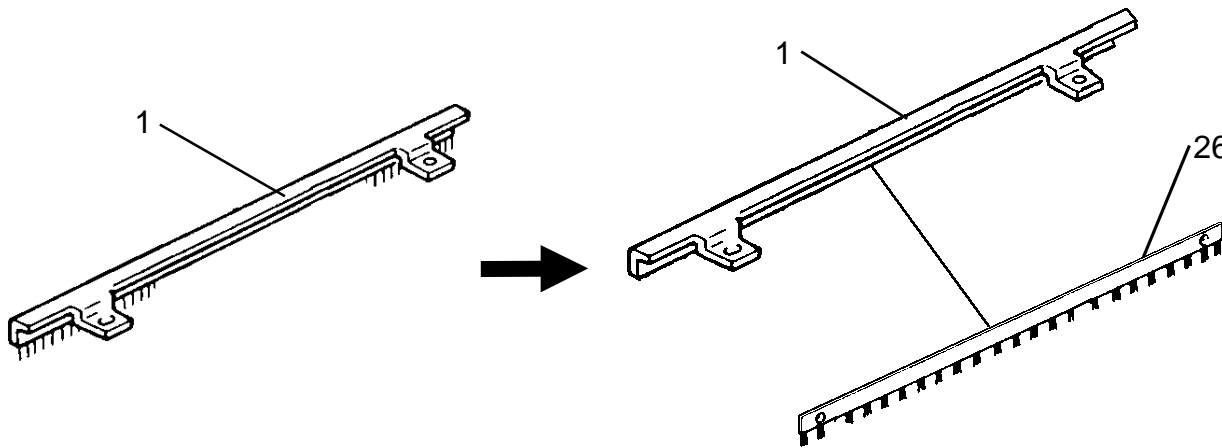
MODEL NAME	V/Hz	DESTINATION	JAPN PRODUCTION	
			CODE	SERIAL NUMBER
NRG CRDH55	120/60	U.S.A. , Canada etc.	A378 - 10	/
Savin 9550/9650 RDF	120/60	U.S.A.	A378 - 15	
Ricoh DH400	120/60	U.S.A.	A378 - 17	
NRG CRDH55	230/50	Europe etc.	A378 - 22	
Infotec DH III	230/50	Europe	A378 - 26	
Ricoh DH400	230/50	Europe etc.	A378 - 27	

Model	RDH for F410	Volt/Hz	Date of Modification	Serial Number
Modified Article	Parts Catalog			
Reason for Modification	Parts catalog correction			

Please correct your parts catalog as follows:

	New P/N	Description	Q'ty Used	Parts Catalog	
				Index No.	Page
Incorrect	A4992338	Antistatic Brush Plate	1	1	17

* New Index No.



S. Hamano, Assistant General Manager
 Technical Support Department

MODEL NAME	V/Hz	DESTINATION	JAPN PRODUCTION	
			CODE	SERIAL NUMBER
NRG CRDH55	120/60	U.S.A. , Canada etc.	A378 - 10	/
Savin 9550/9650 RDF	120/60	U.S.A.	A378 - 15	
Ricoh DH400	120/60	U.S.A.	A378 - 17	
NRG CRDH55	230/50	Europe etc.	A378 - 22	
Infotec DH III	230/50	Europe	A378 - 26	
Ricoh DH400	230/50	Europe etc.	A378 - 27	

Model	RDH for F410	Volt/Hz	Date of Modification	Serial Number
Modified Article	Feed Roller Drive Gear / Shaft			
Reason for Modification	To improve durability			

To improve durability, the material of the following parts have been changed.

Old P/N	New P/N	Description	Q'ty Used	Inter-change-ability	Parts Catalog	
					Index No.	Page
A4991433	A3781433	Shaft - Roller Clutch - Z20	1 → 0	X/	4	23
		Shaft - Roller Clutch - Z18	0 → 1	/O		
A3781093	A3781097	Gear - 18Z	1 → 1	X/O	8	23

S. Hamano, Assistant General Manager
 Technical Support Department

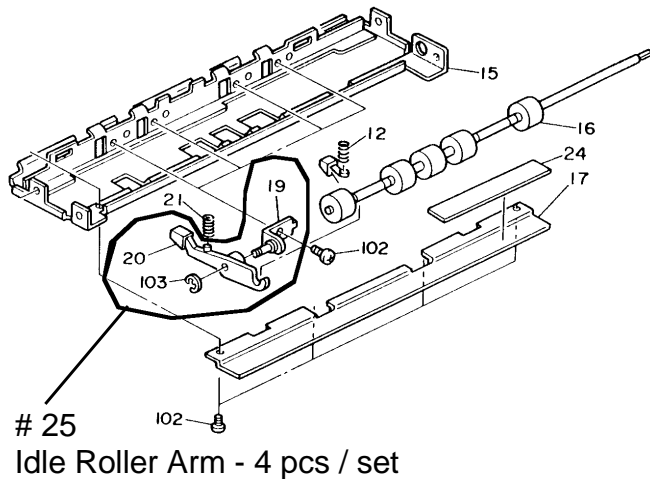
MODEL NAME	V/Hz	DESTINATION	JAPAN PRODUCTION	
			CODE	SERIAL NUMBER
NRG CRDH55	120/60	U.S.A. , Canada etc.	A378 - 10	5393120001
Savin 9550/9650 RDF	120/60	U.S.A.	A378 - 15	4143120001
Ricoh DH400	120/60	U.S.A.	A378 - 17	A3403120001
NRG CRDH55	230/50	Europe etc.	A378 - 22	5343120001
Infotec DH III	230/50	Europe	A378 - 26	3E01230001
Ricoh DH400	230/50	Europe etc.	A378 - 27	A3403120109

Model	RDH for F410 / 420	Volt/Hz	Date of Modification	Serial Number
Modified Article	Idle Roller Arm			
Reason for Modification	To prevent incorrect original size detection			

To prevent incorrect original size detection, the shape of the idle roller has been changed.
 For details, please refer to F400 RTB - 019.

Old P/N	New P/N	Description	Q'ty Used	Inter-changeability	Parts Catalog	
					Index No.	Page
A4991361	A3781397	Bracket - Idle Roller Arm	4 → 0		19	9
A4991365		Idle Roller Arm	4 → 0		20	9
07200030E		Retaining - M3	n → n-4		103	9
		Idle Roller Arm - 4pcs / set	0 → 1	X/O	* 25	9

* New index number



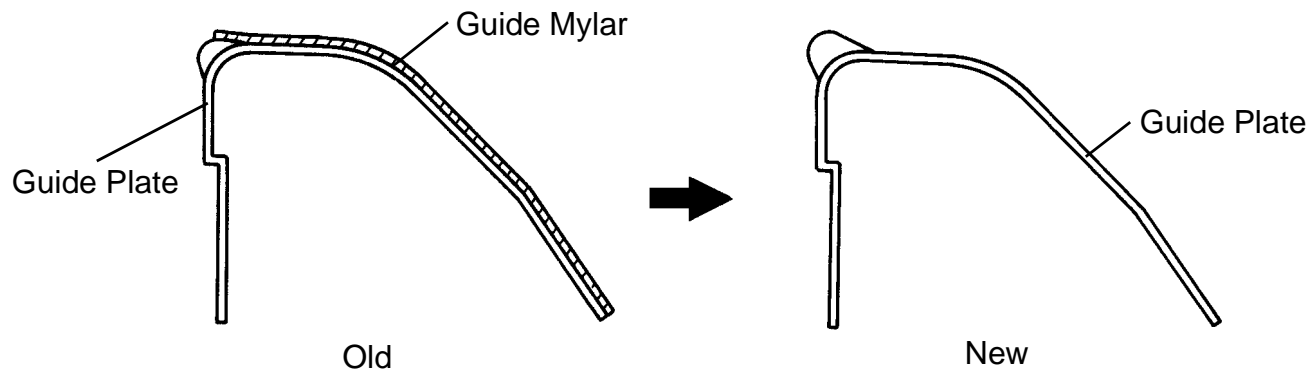
M. Iwasa, Manager
 Technical Support Department

MODEL NAME	V/Hz	DESTINATION	JAPAN PRODUCTION	
			CODE	SERIAL NUMBER
NRG CRDH55	120/60	U.S.A. , Canada etc.	A378 - 10	5393120001
Savin 9550/9650 RDF	120/60	U.S.A.	A378 - 15	4143120001
Ricoh DH400	120/60	U.S.A.	A378 - 17	From 1st Production
NRG CRDH55	230/50	Europe etc.	A378 - 22	5343120001
Infotec DH III	230/50	Europe	A378 - 26	3E01230001
Ricoh DH400	230/50	Europe etc.	A378 - 27	A3403120109

Model	RDH for F410 / 420	Volt/Hz	Date of Modification	Serial Number
Modified Article	Exit Guide Plate			
Reason for Modification	To facilitate manufacturing			

To facilitate manufacturing, the shape of the guide plate has been changed and the guide mylar has been removed.

Old P/N	New P/N	Description	Q'ty Used	Inter-changeability	Parts Catalog	
					Index No.	Page
A4992198		Inverter Guide Plate	1 → 0	X/O	4	15
	A3782198	Exit Guide Plate	0 → 1			



S. Hamano, Assistant General Manager
 Technical Support Department

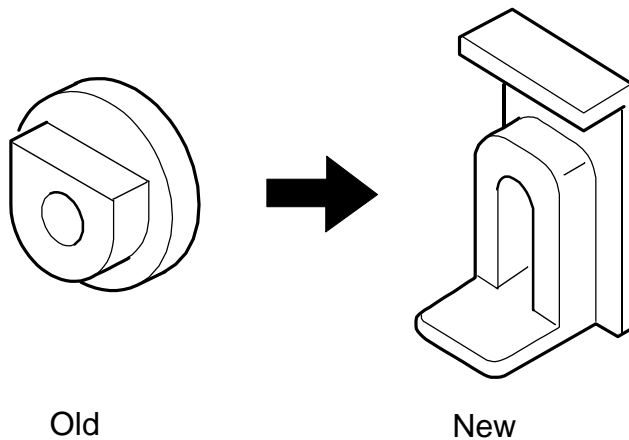
MODEL NAME	V/Hz	DESTINATION	JAPAN PRODUCTION	
			CODE	SERIAL NUMBER
NRG CRDH55	120/60	U.S.A. , Canada etc.	A378 - 10	5394070001
Savin 9550/9650 RDF	120/60	U.S.A.	A378 - 15	4144070001
Ricoh DH400	120/60	U.S.A.	A378 - 17	A3404040001
NRG CRDH55	230/50	Europe etc.	A378 - 22	5344040001
Infotec DH III	230/50	Europe	A378 - 26	3E00440001
Ricoh DH400	230/50	Europe etc.	A378 - 27	A3404040103

Model	RDH for F410 / 420	Volt/Hz	Date of Modification	Serial Number
Modified Article	Bushing - 4 mm			
Reason for Modification	To improve durability			

Old P/N	New P/N	Description	Q'ty Used	Inter-change-ability	Parts Catalog	
					Index No.	Page
A4991616		Bushing - 4 mm	8 → 2	X/	5	11
	A3781616	Pressure Roller Busing	0 → 6	/O	* 33	11

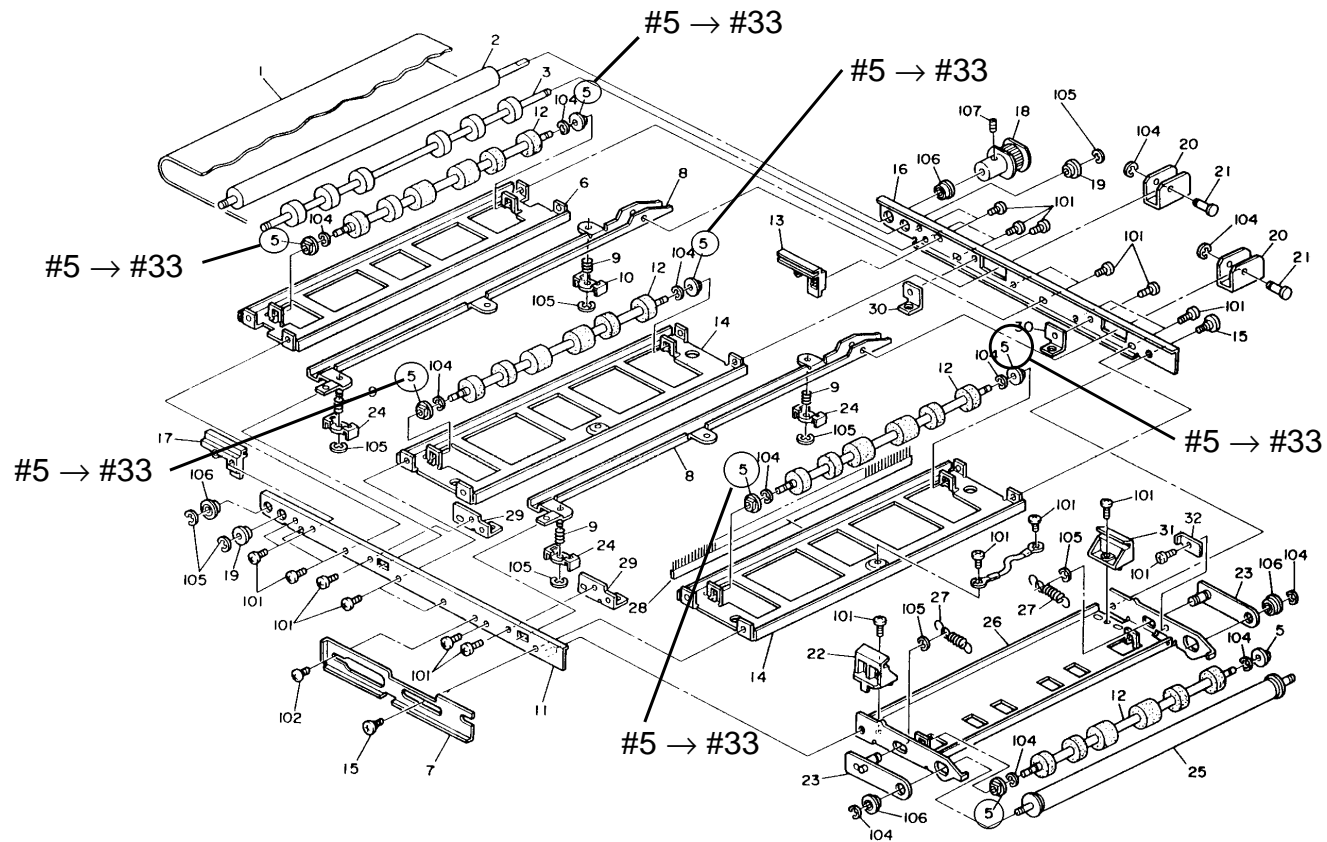
* New Index

To improve durability, the shape of the bushings have been changed as shown.



DETAILS OF MODIFICATION

Page 10



S. Hamano, Assistant General Manager
Technical Support Department

MODEL NAME	V/Hz	DESTINATION	JAPAN PRODUCTION	
			CODE	SERIAL NUMBER
NRG CRDH55	120/60	U.S.A. , Canada etc.	A378 - 10	5394020001
Savin 9550/9650 RDF	120/60	U.S.A.	A378 - 15	4144070001
Ricoh DH400	120/60	U.S.A.	A378 - 17	A3404020001
NRG CRDH55	230/50	Europe etc.	A378 - 22	5344020001
Infotec DH III	230/50	Europe	A378 - 26	3E00240001
Ricoh DH400	230/50	Europe etc.	A378 - 27	A3404020105

Model	RDH for F410 / 420	Volt/Hz	Date of Modification	Serial Number
Modified Article	Decal - Side Fence etc.			
Reason for Modification	To ensure that the exit unit is positioned correctly			

Draw No.	Old Parts No.	New Parts No.	Description	Rank	Q'ty Used Old→New	Inter-changeability	Parts needed for replacement by new part		Parts Catalog	
							Part No.	Description	No.	Page
	A3786050	A3786056	Decal - Side Fence (Ricoh)		1 → 1	X/O			1	25
	A3786051	A3786057	Decal - Side Fence (NRG)		1 → 1	X/O			1	25
	A3786052	A3786058	Decal - Side Fence (Savin)		1 → 1	X/O			1	25
	A3786053	A3786059	Decal - Side Fence (Infotec)		1 → 1	X/O			1	25
	A3786016	A3786036	Decal - Exit (Ricoh)		1 → 1	X/O			10	25
	A3786017	A3786037	Decal - Exit (NRG)		1 → 1	X/O			10	25
	A3786018	A3786038	Decal - Exit (Savin)		1 → 1	X/O			10	25
	A3786019	A3786039	Decal - Exit (Infotec)		1 → 1	X/O			10	25

Rank: A : Replace with new parts immediately. B : Replace with new parts at time of repair. C : Replace with new parts at time of overhaul.

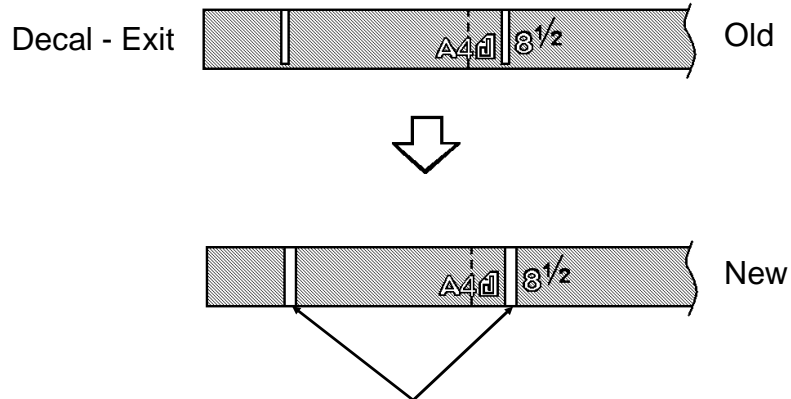
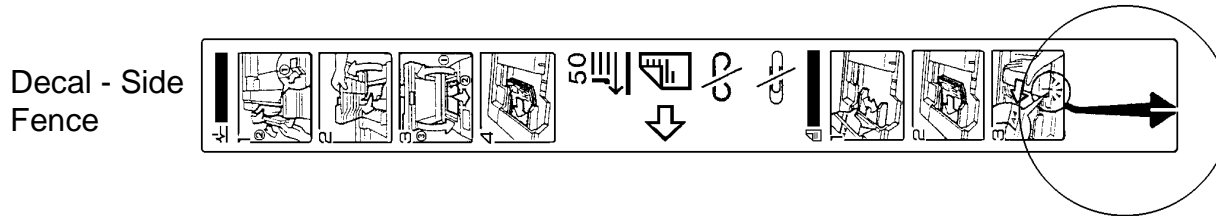
Interchangeability:

(1) When old and new parts are not mutually interchangeable, use additional parts or an assembly part as indicated in "Parts needed for replacement by new part" to install the new part.

(2) The mark to the left of the slash indicates whether the old part can be used in the new machine, and the mark to the right indicates whether the new part can be used in the old machine. x = Not interchangeable o = Interchangeable

DETAILS OF MODIFICATION

If the user does not adjust the exit unit position correctly, a jam or an original order mix-up may occur. A large arrow has been added to the side fence decal and the alignment lines on the exit decal have been enlarged as an enhanced instruction to users.



S. Hamano, Assistant General Manager
Technical Support Department

MODEL NAME	V/Hz	DESTINATION	JAPAN PRODUCTION	
			CODE	SERIAL NUMBER
NRG CRDH55	120/60	U.S.A. , Canada etc.	A378 - 10	5395010001
Savin 9550/9650 RDF	120/60	U.S.A.	A378 - 15	4145010001
Ricoh DH400	120/60	U.S.A.	A378 - 17	A3405010001
NRG CRDH55	230/50	Europe etc.	A378 - 22	5345010001
Infotec DH III	230/50	Europe	A378 - 26	3E00150001
Ricoh DH400	230/50	Europe etc.	A378 - 27	A3405010051

Model	RDH for F410 / 420	Volt/Hz	Date of Modification	Serial Number
Modified Article	Right Cover			
Reason for Modification	Parts Catalog Correction			

The following mistakes have been found in the Parts Catalog.
Please update your Parts Catalog.

Incorrect P/N	Correct P/N	Description	Q'ty Used	Inter-changeability	Parts Catalog	
					Index No.	Page
A3782416	A4992413	Right Table - SVN	1 → 1	O/O	14	19
A3782416	A3782417	Right Table - NRG	1 → 1	O/O	14	19
A3782416	A4992415	Right Table - INF	1 → 1	O/O	14	19

M. Iwasa, Manager
Technical Support Department

MODEL NAME	V/Hz	DESTINATION	JAPAN PRODUCTION	
			CODE	SERIAL NUMBER
NRG CRDH55	120/60	U.S.A. , Canada etc.	A378 - 10	539
Savin 9550/9650 RDF	120/60	U.S.A.	A378 - 15	414
Ricoh DH400	120/60	U.S.A.	A378 - 17	A340
NRG CRDH55	230/50	Europe etc.	A378 - 22	534
Infotec DH III	230/50	Europe	A378 - 26	3E0
Ricoh DH400	230/50	Europe etc.	A378 - 27	A340

Model: RDH for F410/420	Date: 22-Mar-00	No.: MA378010
-------------------------	-----------------	---------------

Modified Article: Inverter Guide		Prepared by: F. Noguchi	
From: Technical Service Dept., GTS Division			
Reason for Modification:	<input type="checkbox"/> Parts catalog correction	<input type="checkbox"/> Vendor change	<input type="checkbox"/> To meet standards ()
	<input type="checkbox"/> To facilitate assembly	<input type="checkbox"/> To improve reliability	
	<input checked="" type="checkbox"/> Part standardization	<input type="checkbox"/> Other	

Old part number	New part number	Description	Q'ty	Int	Page	Index	Note
A3781726	A4991723	Inverter Guide	1	O/O	13	14	

Due to parts standardization, the inverter guide has been changed. The two parts are very similar in color, but the new part is slightly lighter. In addition, the old inverter guide is no longer available.

